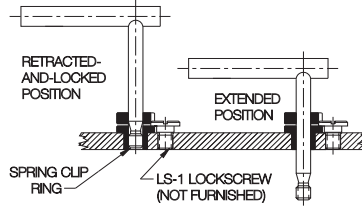


LOCKING L PINS

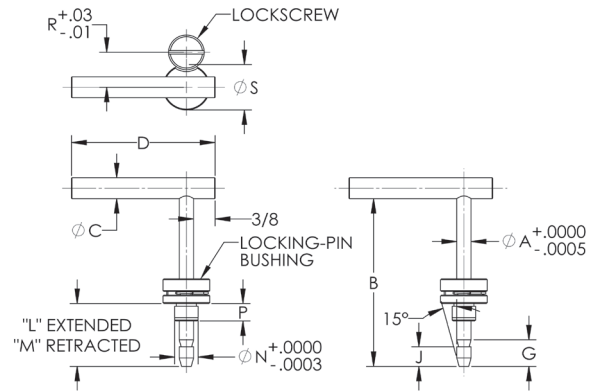
PIN: 1215 STEEL, CARBURIZED-HARDENED, BLACK OXIDE FINISH
 HANDLE: 1215 STEEL, BLACK OXIDE FINISH
 BUSHING: 8620 STEEL, CASE HARDENED, BLACK OXIDE FINISH

1



Similar to a standard L Pin, except that the pin body is positively retained in a locking bushing. In fully retracted position, the bushing's spring clip snaps into the pin's radial groove. This holds the pin fully retracted by spring force and positively prevents removal. Spring pressure also holds the pin in intermediate extended positions, an advantage especially if the fixture is turned upside down. Available in pin diameters from 3/16 to 1/2" (6 to 12mm in metric), most in a choice of several pin lengths.

Locking-Pin Bushings are designed to press fit in a standard reamed hole. Secure with the included Lockscrew to positively hold the bushing in place. Shorter or longer bushings are available in most sizes, for thinner or thicker plates.



COMPLETE ASSEMBLY (INCH)

PART NO.	A DIA		B PIN LENGTH	P BUSHING LENGTH UNDER HEAD		C DIA	D	G	J	L	M	N DIA		R	S	L PIN (INCLUDED)	BUSHING (INCLUDED)	LOCKSCREW (INCLUDED)						
	NOMINAL	ACTUAL		NOMINAL	ACTUAL																			
CL-1A-LLP-B	3/16	.1865	1-1/2	Standard	.31	5/16	2-1/2	.47	.35	1	.20	13/16	.4078	.62	13/16	CL-1A-LLP	CL-3-LPB	LS-1						
CL-1-LLP-B			3	Standard	.31					2-1/2						CL-1-LLP	CL-3-LPB							
CL-38-LLP-B	1/4	.2490	2	Standard	.31	3/8	2-1/2	.47	.35	1-1/2	.20	13/16	.4078	.62	13/16	CL-38-LLP	CL-4-LPB	LS-1						
CL-38-LLP-B-2				Long	.50											CL-4A-LPB								
CL-5-LLP-B			3	Standard	.31					2-1/2						.20	13/16		.4078	.62	13/16	CL-5-LLP	CL-4-LPB	LS-1
CL-5-LLP-B-2				Long	.50																	CL-4A-LPB		
CL-25-LLP-B	4	Standard	.31	3-1/2	.20	13/16	.4078	.62	13/16	CL-25-LLP	CL-4-LPB	LS-1												
CL-25-LLP-B-2		Long	.50							CL-4A-LPB														
CL-39-LLP-B-1	5/16	.3115	3-1/2	Standard						.31	5/8		3	.47	.35	3	.20	1/2	.5017	.62	13/16	CL-39-LLP	CL-5-LPB	LS-1
CL-39-LLP-B				Medium						.37												CL-5A-LPB		
CL-39-LLP-B-3				Long	.50	CL-5B-LPB																		
CL-7-LLP-B-1	5/16	.3115	3-1/2	Standard	.31	5/8	3	.47	.35	3	.20	1/2	.5017	.62	13/16	CL-7-LLP	CL-5-LPB	LS-1						
CL-7-LLP-B				Medium	.37											CL-5A-LPB								
CL-7-LLP-B-3				Long	.50											CL-5B-LPB								
CL-8-LLP-B-1	5/16	.3115	3-1/2	Standard	.31	5/8	3	.47	.35	3	.20	1/2	.5017	.62	13/16	CL-8-LLP	CL-5-LPB	LS-1						
CL-8-LLP-B				Medium	.37											CL-5A-LPB								
CL-8-LLP-B-3				Long	.50											CL-5B-LPB								
CL-40A-LLP-B-1	3/8	.3740	2	Standard	.31	5/8	3-1/2	.47	.35	1-1/2	.20	5/8	.6267	.62	13/16	CL-40A-LLP	CL-6-LPB	LS-1						
CL-40A-LLP-B				Long	.50											CL-6A-LPB								
CL-9-LLP-B-1			4	Standard	.31					3-1/2						.20	5/8		.6267	.62	13/16	CL-9-LLP	CL-6-LPB	LS-1
CL-9-LLP-B				Long	.50																	CL-6A-LPB		
CL-10-LLP-B-1	6	Standard	.31	5-1/2	.20	5/8	.6267	.62	13/16	CL-10-LLP	CL-6-LPB	LS-1												
CL-10-LLP-B		Long	.50							CL-6A-LPB														
CL-13A-LLP-B-1	1/2	.4990	2	Standard						.50	5/8		3-1/2	.47	1-1/2	.20	3/4	.7518	.75	1-1/16	CL-13A-LLP	CL-8-LPB	LS-1	
CL-13A-LLP-B				Long						.75											CL-8A-LPB			
CL-13-LLP-B-1			4	Standard	.50	3-1/2	.20	3/4	.7518	.75		1-1/16			CL-13-LLP						CL-8-LPB	LS-1		
CL-13-LLP-B				Long	.75										CL-8A-LPB									
CL-14-LLP-B-1	6	Standard	.50	5-1/2	.20	3/4					.7518		.75	1-1/16	CL-14-LLP	CL-8-LPB	LS-1							
CL-14-LLP-B		Long	.75												CL-8A-LPB									

COMPLETE ASSEMBLY (METRIC)

CLM-6-LLP-B	6mm	.2352	3	Standard	.31	3/8	2-1/2	.47	.35	2-1/2	.20	10mm	.3952	.630	.87	CLM-6-LLP	CLM-6-LPB	LSM-3
CLM-8-LLP-B	8mm	.3140	3	Standard	.39	7/16	3-1/2	.47	.35	2-1/2	.20	13mm	.5135	.630	.87	CLM-8-LLP	CLM-8-LPB	LSM-3
CLM-10-LLP-B	10mm	.3927	3	Standard	.47	1/2	3-1/2	.47	.35	2-1/2	.20	16mm	.6316	.630	.87	CLM-10-LLP	CLM-10-LPB	LSM-3
CLM-12-LLP-B	12mm	.4715	4	Standard	.71	5/8	3-1/2	.47	.35	3-1/2	.20	20mm	.7892	.709	1.02	CLM-12-LLP	CLM-12-LPB	LSM-3